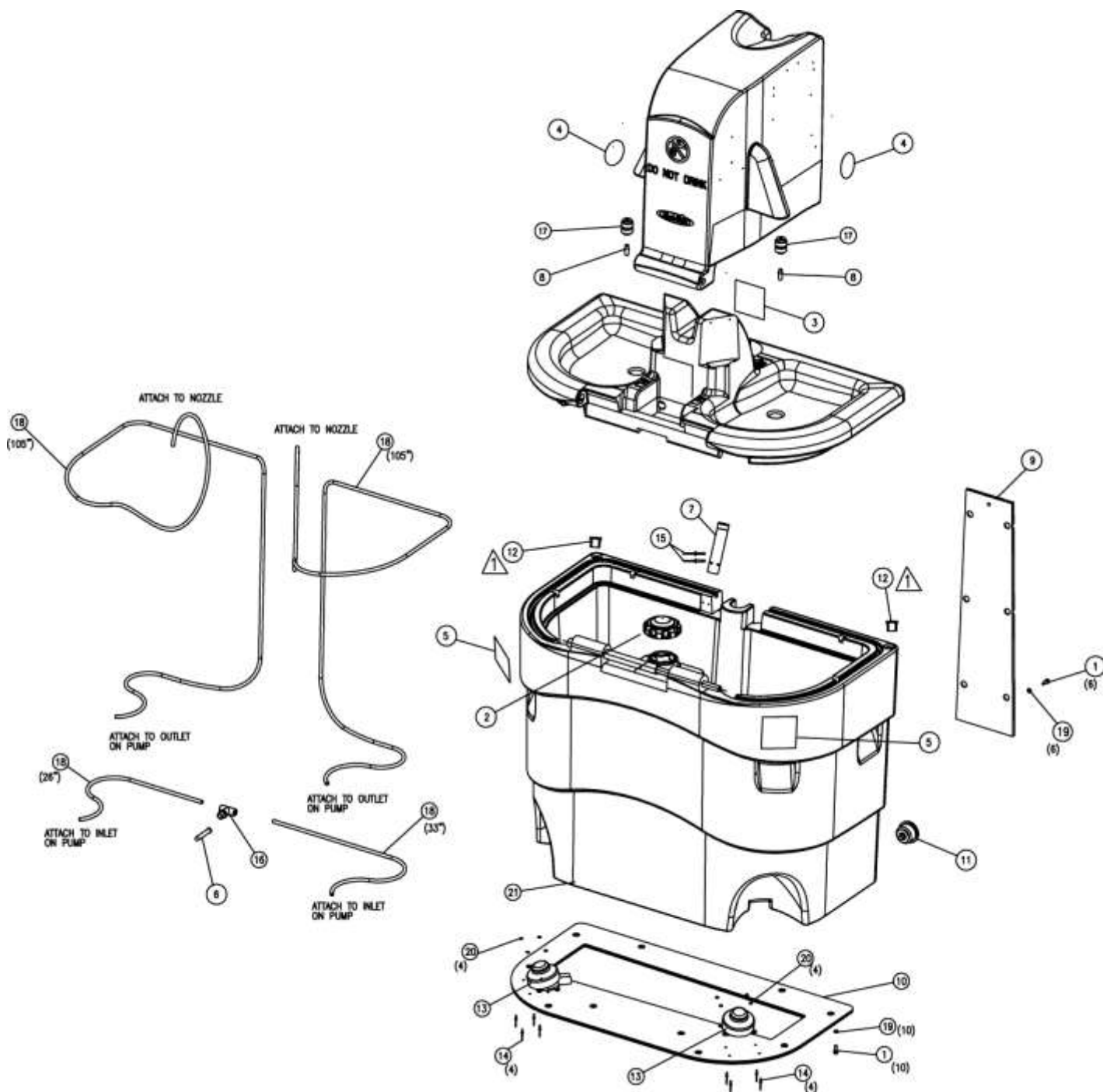


### WAVE II™ MAJOR ASSEMBLY

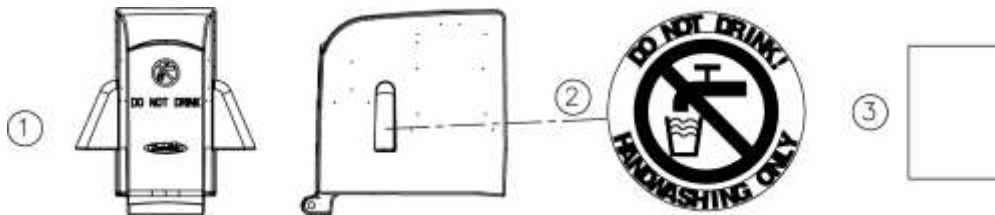


WAVE II™ MAJOR ASSEMBLY

REV F ITEM #	PART#	QTY PER UNIT	DESCRIPTION	PRICE EACH
	18378	1	THE WAVE II	CALL
		1	THE WAVE- COVER/DECK/TANK SET	NOT SALEABLE
1	16814	16	BOLT- ¼-20 X ¾ STNLS	
2	18344	1	CAP- 3-1/2in W/VENT	
3	18242	1	DECAL- BREEZE/WAVE PROCEDURE	
4	13776	2	DECAL- DO NOT DRINK	
5	17463	2	DECAL- WAVE/BREEZE PUMP INSTR	
6	16829	1	FILTER- ½ X 3-1/2 CYLINDER	
7	16818	1	LATCH- THE WAVE	
8	16819	2	NOZZLE- THE WAVE	
9	16820	1	PLATE- THE WAVE BACK	
10	16821	1	PLATE- THE WAVE BOTTOM	
11	17458	1	PLUG- 2in RUBBER HOLE (YELLOW 2008 TO PRESENT)	
12	14203	2	PLUG- ½ HEX HEAD PLSTC PIPE	
13	16305	2	PUMP- BABY FOOT 3/8 HOSE INS	
14*	11024	8	RIVET- #610 AAP	
15*	14427	2	RIVET- #66 LSH W/LOCK MANDREL	
16	16824	1	TS FITTING- 3/8 HOS X MPT TEE	
17	16823	2	TS FITTING- 3/8 HOS X BULKHEAD	
18	16304	269"	TS HOSE- 3/8 OD TUBING	
19*	11360	16	WASHER- ¼ ID FENDER STNLS	
20*	11315	8	WASHER- 3/16 RIVET STNLS	
21	18434	1	WAVE II- COVER/DECK/TANK SET	
	20508	1	BOOT – BABY FOOT PUMP (BLACK)	

\* ONLY SOLD IN MULTIPLES OF 100

WAVE II™ COVER – NARROW RETRO



REV B ITEM #	PART#	QTY PER UNIT	DESCRIPTION	PRICE EACH
	18436	1	KIT- WAVE II COVER NARROW RETR	
1	18341	1	COVER- WAVE II NARROW	
2	13776	2	DECAL- DO NOT DRINK	
3	18435	1	INSTRUCTIONS WAVE II COVR/RTO	